

MODEL 113AR

TILTING DISC CHECK VALVE

Unidirectional valve that prevents fluid returning through the pipe. The assembly of the valve can be done either horizontally or vertically, used in industries such as:

- Pulp and Paper
- Wastewater treatment Plants
- Food and Beverage
- etc.

Main features:

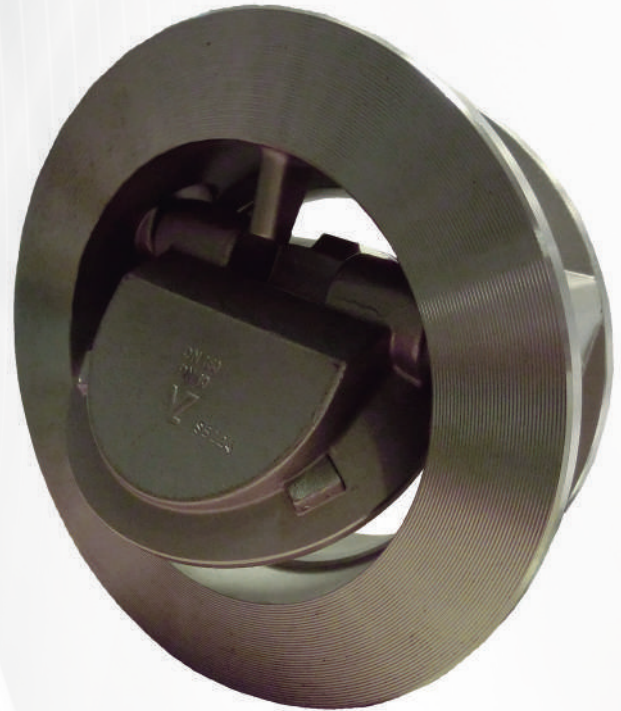
- Low pressure drop and opening pressure.
- Fast acting
- Metal seated (suitable for applications where absolute tightness is not necessary)
- Suitable for all the standard flanges Short Face to Face
- Quick closing reaction
- Short Face to Face
- Excellent tightness (Leakage 0,1 mm³ x DN with water)
- Directional arrow in the body showing correct mounting position.
- Doesn't need any maintenance
- For high performances and pressures

Sizes: DN 40 to DN 700 (larger diameters on request)

Working pressure: DN 40 to DN 300: 40 kg/cm²
DN 350 to DN 700: 25 kg/cm²

Standard flange connection: EN1092 PN 10/16/25/40
ANSI B16.5 (class 150/300)

- * Valves manufactured following European Pressure Equipment Directive PED 2014/68/EU. Fluid: Group 2 (b).
- * Higher pressure conditions, please check with the manufacturer.
- * All valves are tested.
- * Bigger sizes on request.



DESIGN FEATURES

BODY:

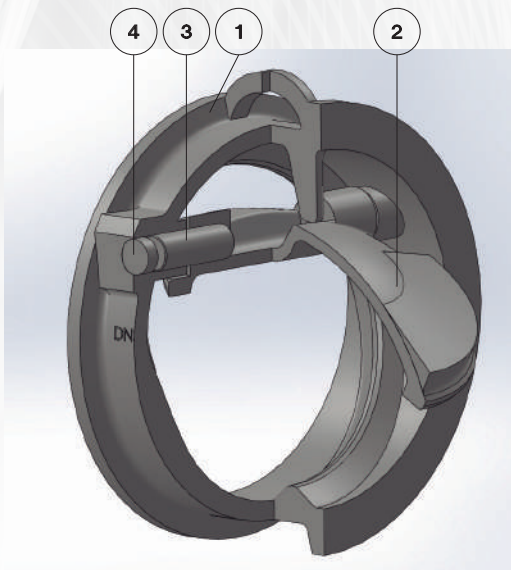
Wafer style cast monoblock.
Cast-in lift eye starting from DN 200 for easier installation.

DISC:

Cast circular, of lightweight designed for maximum strength and low inertia shape.

SHAFT:

Stainless steel heavy stub shafts are positioned to give maximum strength and accurate guiding to the tilting disc.
One-piece design for diameters up to DN 200, two piece for diameters over DN 250.
Seal welded covers on the exterior of the valve body.



CHARACTERISTICS

THE 113AR CHECK VALVE CONSISTS OF:

- Body
- Disc
- Shaft
- Covers

SIZES:

- DN 40 to DN 700

OPTIONS (ON REQUEST):

- Auxiliary spring
- Counterweight

STANDARD PARTS LIST

PART:

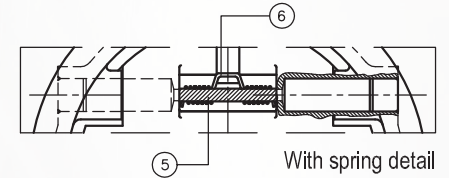
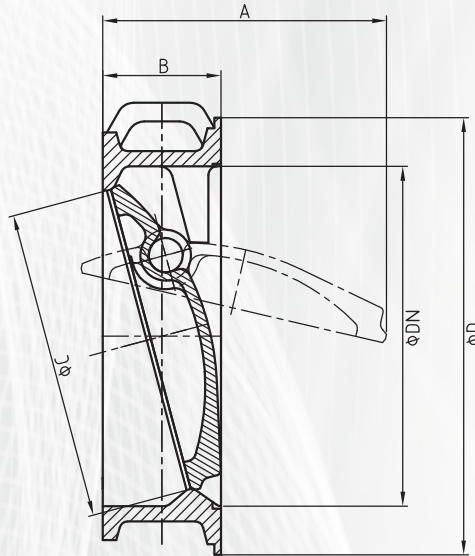
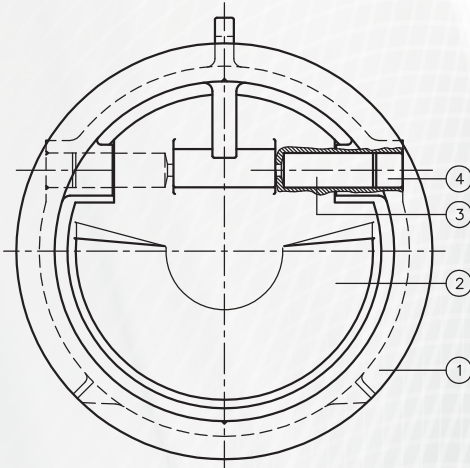
1- Body	_____
2- Disc	_____
3- Shaft	_____
4- Cover	_____

MODEL

113AR



STANDARD PARTS LIST



PART:	STAINLESS STEEL:
1 Body	CF8M
2 Disk	CF8M
3 Free stem	AISI316L
4 Welded stem	AISI316L
5 Rod	AISI316L
6 Spring	AISI302

DN	INCHES	A	B	øC	øD					Weight/Kg
					PN10	PN16	PN25	PN40	ANSI150	
40	1 1/2"	46	33	34	93	93	93	93	84	1,2
50	2"	57	43	44	107	107	107	107	102,5	1,5
65	2 1/2"	67	46	58	127	127	127	127	121,5	2
80	3"	87	64	72	142	142	142	142	134,5	3
100	4"	100	64	90	162	162	162	162	172,5	5
125	5"	117	70	112	194	194	194	194	194	7
150	6"	135	76	135	219	219	224	224	219	8
200	8"	178	89	180	273	273	284	291	273	17
250	10"	220	114	225	329	329	340	352	337,5	27
300	12"	262	114	270	378	384	401	418	407,5	35
350	14"	303	127	315	438	444	458	475	448,5	55
400	16"	355	140	365	490	496	515	542	512	65
450	18"	390	152	420	539	556	565		547	95
500	20"	440	152	460	594	618	625	629	604,5	120
600	24"	530	178	555	696	735	732		715,5	180
700	28"	610	229	650	811	805			828	250

*Leakage rate EN 12266-1 Table A

*Face to face (B) according to DIN 3202.

*Bigger sizes on request